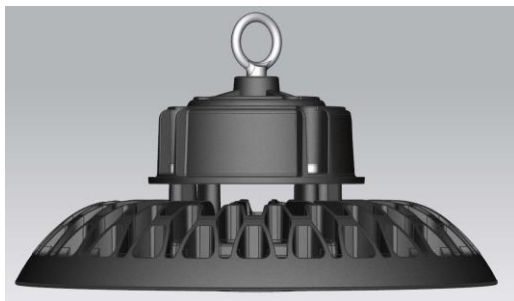




Item#: **150W**
5th Version LED HIGHBAY



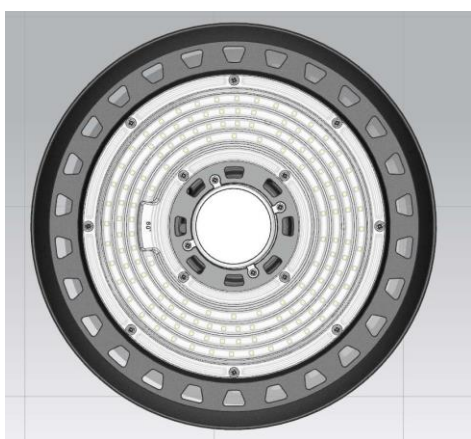
Item#: **UFO High Bay Light**
5th Version LED HIGH BAY
HIGH-BAY LUMINAIRES FOR COMMERCIAL
AND INDUSTRIAL BUILDINGS

FEATURES

- Die cast aluminum for better heat dissipation.
- Dust proof and anti-corrosive.
- Elegant design.
- High efficiency Lifud driver.

APPLICATION

Ideal for retrofitting inefficient fixtures in malls, hospitals, airports, offices, lobbies and other residential and commercial applications.



ELECTRICAL

Wattage	150W
Voltage	100-277V
Power Factor	0.95
Total Harmonic Distortion (THD)	11.8

LIGHTING PERFORMANCE

UGR	<20
Lumens Per Watt (Lm/W)	SMD2835 180LM/W
Color Temperature (CCT)	6500K
Color Rendering (CRI)	80
R9 (Red Value)	14
R13 (Skin Tones)	85
Beam Angle	120°
Light Distribution	Type V

ENVIRONMENT

Operating Temperature	-40-55C/-22°~ 122°F
Suitable Location	WET
Ingress Protection Rating	IP65

LIFESPAN

Average Life (Hours)	50,000
Warranty (Years)	3

COMPONENTS

LED Light Source	Philips Luxeon 3030
Driver	Lifud

CONSTRUCTIONS

Housing	Aluminum
Lens	Optical Lens
Base/Power Supply	Hard Wired
Finish	Black

CERTIFICATIONS



PERFORMANCE DATA

PACKAGING

Item#: 150W

5th Version LED HIGHBAY

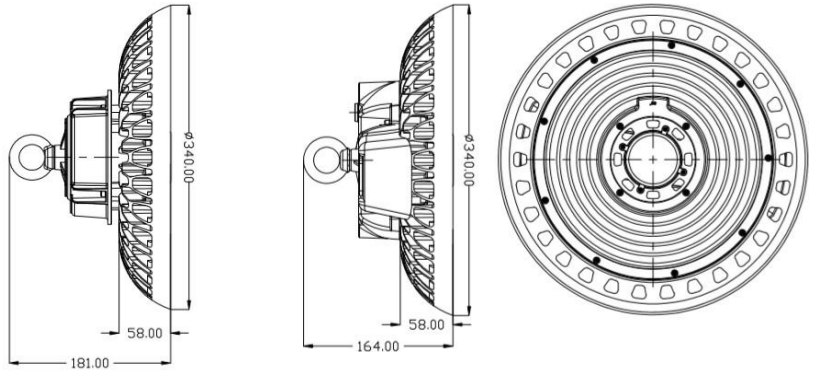
DIMENSIONS (mm)

Width/Diameter	340
Height	181
Weight (kg)	4.35

Line drawings may not be to scale and are for general reference only.

SUPPORTING DOCUMENTS

- Product Sheet
- Install Instructions
- IES Download from Web Item
- LM79
- LM80



PACKAGING

Master Carton	1
---------------	---

DIMENSIONS (LxWxH)

380x 380x 180mm
 20GP: 1150pcs
 40HQ: 2650pcs

GROSS WEIGHT (KG)

4.35

Views



01



02



03



04