



# GERIC HOLDINGS (Pty) Ltd

41 GEMSBOK STREET, KOEDOESPOORT, Pretoria, Gauteng, 0186, South Africa

## LED Flood Light



### Better solutions for a Led Flood Light



IP65 water-proof



AC100-277V 50/60Hz  
AC277-480V 50/60Hz



Easy Installation



140Lm/w



### Options

#### Power

MEAN WELL DRIVER  
HLG series A: Standard  
HLG series B: Dimmable 1-10V

#### Color

3000K  
4000K  
5700K

#### Beam Angle

10°  
30°  
50°

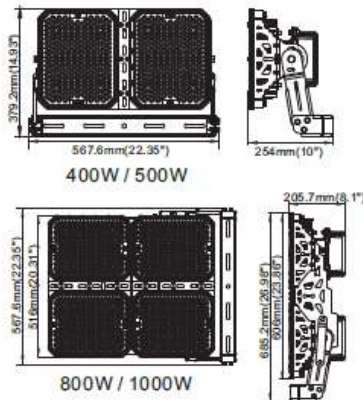
### Application

Sports Lighting, Stadium lighting, Sports fields, Car parks, High mast installations Dock, railway and container yards, Ports and other large scale outdoor applications, Architectural lighting, Landscape lighting, Industrial and commercial exterior lighting Decorative lighting for holidays, tradeshows, exhibitions.

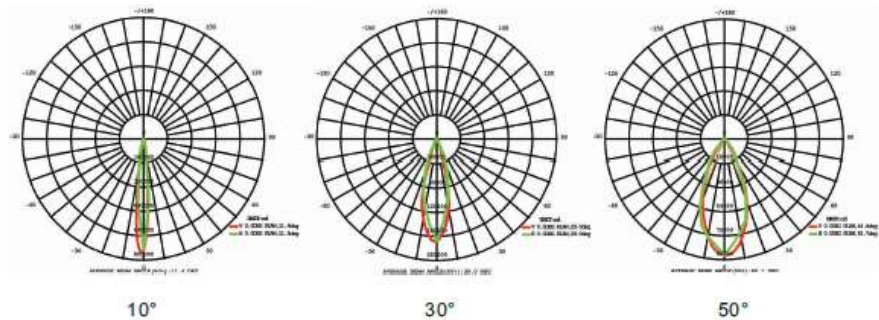
### Specifications

Item	Power	Lumen	Leds	CRI	Weight	Beam Angle
400-FL-WH-C-2472-G	400W	56000Lm	LUMILEDS 3030	> 80	14.8kg	10°/30°/50°
500-FL-WH-C-2473-G	500W	70000Lm	LUMILEDS 3030	> 80	14.8kg	10°/30°/50°
800-FL-WH-C-2474-G	800W	112000Lm	LUMILEDS 3030	> 80	30.8kg	10°/30°/50°
1000-FL-WH-C-2475-G	1000W	140000Lm	LUMILEDS 3030	> 80	30.8kg	10°/30°/50°

### Dimensions(mm)



### Photometry



## P1 Model Options



400W/500W(Lens 10°)



400W/500W(Lens 30° or 50°)



800W/1000W(Lens 10°)



800W/1000W(Lens 30° or 50°)

## P2 Model Options



400W/500W(Lens 10°)



400W/500W(Lens 30° or 50°)



800W/1000W(Lens 10°)



800W/1000W(Lens 30° or 50°)

## P3 Model Options



400W/500W(Lens 10°)



400W/500W(Lens 30° or 50°)



400W/500W(Lens 10°)

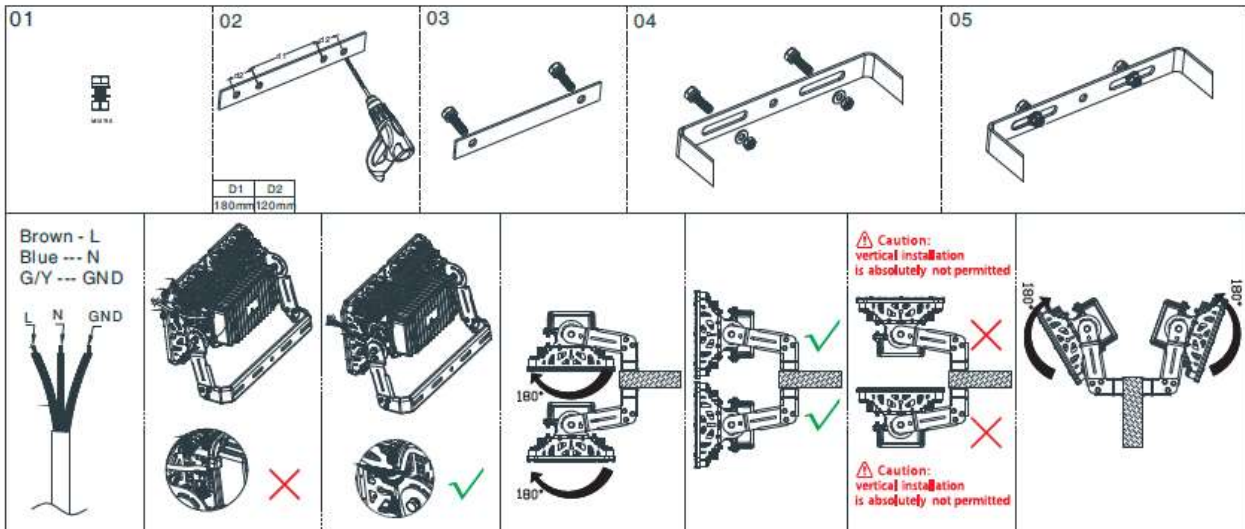


400W/500W(Lens 30° or 50°)

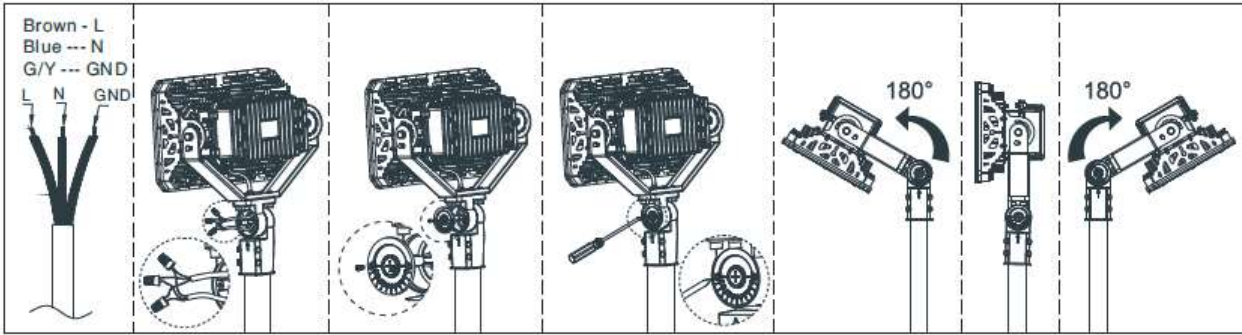
## P4 Model Options

## Installation and use

### P1 U-shaped bracket







## Laser Sight

